

# ◀ OPUS®

HYBRIDS



GOOD  
DESIGN®  
Award



GERMAN  
DESIGN  
AWARD  
WINNER  
2018

[opuscamper.com.au](http://opuscamper.com.au)

**USER  
MANUAL**



OPUS<sup>®</sup>

# CONTENTS



USER MANUAL	Page 1
My Hybrid Caravan	Page 3
Vehicle Identification Number (VIN)	Page 4
Specifications	Page 5
Hitching & Trailer Electrics	Page 8
Brake Set Up	Page 9
Setting Up your Caravan	Page 10
Water System	Page 13
Hot Water Service	Page 14
Gas System	Page 16
240 Volt Mains Power	Page 17
12 Volt Power	Page 18
Care & Maintenance	Page 21
Internal Features	Page 22
Storage	Page 24
Warranty	Page 25
Service Schedule	Page 28
Torque Guide	Page 29
Notes	Page 30

**OWNER:**

**ADDRESS:**

**MODEL:**

**VIN:**

**BUILD  
DATE:**

**ATM:**

**TARE:**

**MAX PAY  
LOAD:**

**TYRE  
SIZE:**

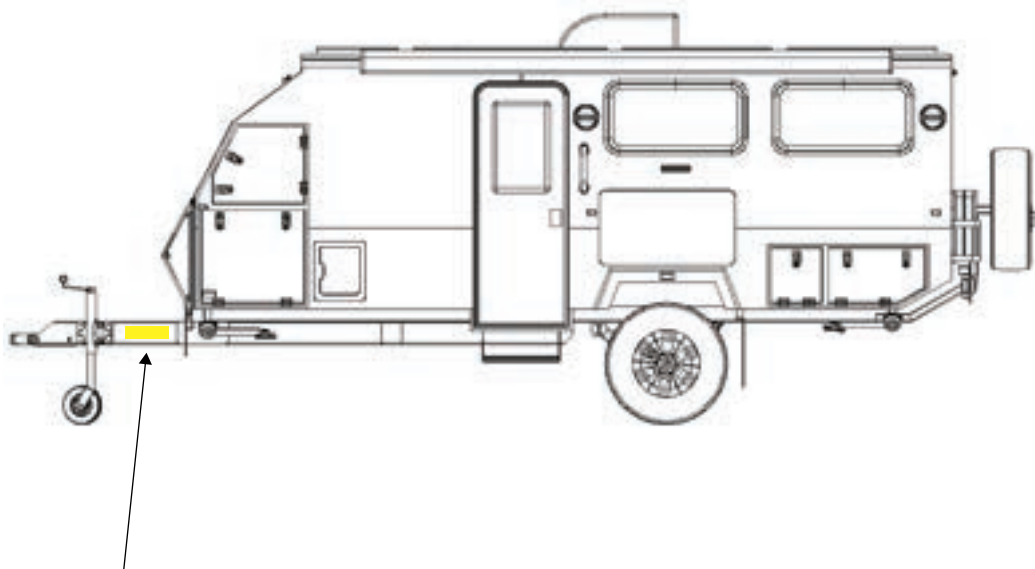
**DEALER:**

# VEHICLE IDENTIFICATION NUMBER (VIN)



## About Your Vehicle Identification Number

Every OPUS® has a Vehicle Identification Number (VIN). The VIN Plate can be found on the exterior of your OPUS® to the left of the door secured, to the draw bar. We recommend making a note of your VIN in the template below. This will be required by insurance companies.



<b>MANUFACTURER: PURPLE LINE PTY LTD</b>		TYRE PRESSURE (COLD): <input type="text"/> kPa	TYRE PRESSURE (COLD) MAX LOADING: <input type="text"/> kPa
TRAILER MODEL: OPUS / PART # <input type="text"/>	TYRE MAKE: <input type="text"/> kg	MAXIMUM LOAD: <input type="text"/> kg	
DATE OF MANUFACTURE: <input type="text"/>	TYRE SIZE: <input type="text"/>	AXLE LOAD CAPACITY: <input type="text"/> kg	
AGGREGATE TRAILER MASS: <input type="text"/> kg	GROSS TRAILER MASS: <input type="text"/> kg	TYRE LOAD RATING: <input type="text"/> kg	TYRE SPEED RATING: <input type="text"/> km/h
VIN: <input type="text"/>	WHEEL BMM SIZE/PROFILE: <input type="text"/>	The tyres fitted to this vehicle shall have a speed category of least equal to the recommended maximum vehicle operating speed <input type="text"/> km/h	
This trailer was manufactured to comply with the Road Vehicle Standards Act 2018		OPUS® Camper Trailers - 13 India Drive Kyneton Victoria 3773. For more information contact us on: Ph: 03 9088 2909 email: sales@opuscamper.com.au	
		<b>-OPUS®</b> OPUSCAMPER.COM.AU	

Colour	Charcoal Grey
Chassis	6" Hot dip galvanised chassis
Construction	Aluminium Frame. Aluminium composite body with checker plate. One piece walls, Floor & roof

- |                                      |                             |
|--------------------------------------|-----------------------------|
| <b>1. King Bed</b>                   | <b>6. Bunks</b>             |
| <b>2. Ensuite</b>                    | <b>7. Fridge Slide</b>      |
| <b>3. Lounge Area</b>                | <b>8. Slide-out kitchen</b> |
| <b>4. Cupboard, Bench &amp; Sink</b> | <b>9. Pantry</b>            |
| <b>5. Tall Cupboard</b>              | <b>10. Adjustable Table</b> |

## Features

### Internal

Bed Set Up	King size bed with under bed storage
Mattress	Innerspring Mattress
LED Lighting	LED strip lighting, LED reading lamps, LED Clearance and tail lamps LED awning Light, LED grab handle
Tap Set Up	Hot & Cold mixer tap at kitchen
Ensuite	Shower with 1 piece moulded floor/Thetford toilet with Casette
Sound System	JBL Portable Speaker
Air Conditioner	Webasto Air Conditioner
Cabinetry	Soft touch cabinetry

# SPECIFICATIONS - Hybrids



## External

Suspension	Heavy duty Pedders shock absorbers
Jockey Wheel	ARK XO750 Jockey Wheel
Coupling	DO35 3.5T articulated hitch
Brake System	12" electric brakes, adjustable handbrake with breakaway unit
Wheels/Tyres	2 x 16 inch alloy wheels with 265/75R16 mud terrain tyres & 2 x spare wheels
Gas Bottle Holder	2 x 4.5kg gas bottle holders
Jerry Can Holder	2 x 20 litre jerry can holders
Fresh Water Tanks	2 x 120 litre with stone guard
Grey Water Tank	1 x 67 litre grey water tank with stone guard
Stabiliser Legs	4x wind down stabiliser legs
Stone Guard	Mesh stone guard
Slide Out Kitchen	External stainless steel kitchen with 4 burner AGA approved stove
Storage	stove External slide-out pantry External sliding fridge tray
Step	Pull-out aluminium step
Jack	Kojack Hydraulic Jack
Skylights	Ranger RV Skylights
Table	Fold-out Table
Awning	Wind Out awning

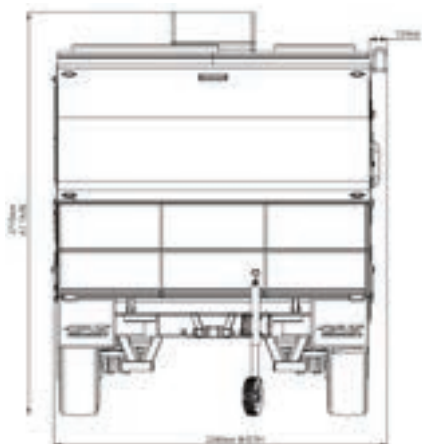
## Plumbing

Gas & Hot Water	Fogatti Instant Gas Hot Water System
Water Pumps	1 x Surflow pump
Water Tank Guard	1.5mm plate

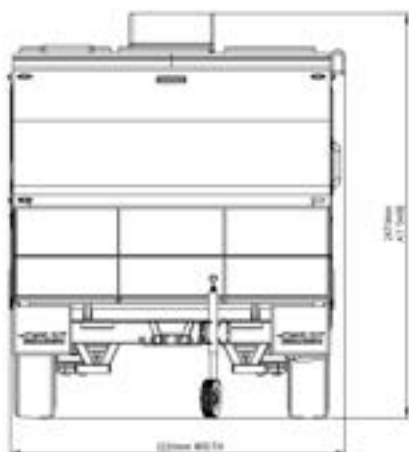
## Electrical

Power Supply	12V & 240V
Solar Panels	5 - 6 x 100 watt solar panels
Batteries	3x 100Ah Lithium Batteries
Battery Charger	50A AC-DC Charger & 40A DC-DC Charger
Towing Wiring	7 pin trailer wiring and Anderson plug
Switchboard	12V Distribution panel with water & battery meters
TV	12V television with antenna
Power Outlets	12V outlets internal and external
Roof Vents	1 x pop up bathroom vents

## DIMENSIONS - OP15



## DIMENSIONS - OP13





# HITCHING & TRAILER ELECTRICS



A

The OPUS® is fitted with a 7-pin flat plug that connects all the exterior trailer lighting and the electric brakes to the towing vehicle. A standard 7 pin plug is required on your tow vehicle for this to connect to.



## About your Electrical Plugs

**IMPORTANT**  
Wheel nuts should be checked after first 100km and then every 1000km.

### 7 PIN

The OPUS® is fitted with a 7-pin flat plug that connects all the exterior trailer lighting and the electric brakes to the towing vehicle. A standard 7 pin plug is required on your tow vehicle for this to connect to.



### ANDERSON PLUG

The OPUS® is also fitted with a standard 50 Amp Anderson Plug which is connected to the caravan batteries via 5 Amp DC-DC charger. If you have an Anderson plug on your towing vehicle that is connected to your vehicle battery, then you can attach these two together whilst towing.



**IMPORTANT** This should not be used as solar input. Disconnect these plugs when the engine of the towing vehicle is not running, as it will continue to draw current and you may end up with a flat battery on your towing vehicle.

## About your brakes

The OPUS® is fitted with electric brakes. Your tow vehicle will need an electric brake controller fitted in order to tow the caravan and operate the electric brakes safely.

Before towing, check that the caravan brakes are on. **Refer to your vehicles brake controller user manual.** To test brakes, connect to running car and use the electric brake controller manual override switch/button/lever.

### IMPORTANT

Failure to tow with a brake controller in your vehicle is both dangerous and illegal and will void warranty.

As part of the regular service check you should have completed by an accredited industry service agent, the brakes will be checked and maintained.



## Initial Steps

**STEP 1**

Once you have positioned your OPUS® on level ground in the desired location, engage the handbrake. Levelling ramps may be required (not supplied).

**STEP 2**

Raise or lower jockey wheel to level your caravan lengthways.

**STEP 3**

Using the leg winder supplied, gently lower corner steady legs until each touches the ground with enough pressure to stop any rocking.

**STEP 4**

Unlatch all 4 external roof latches, then step into the caravan and put the roof up by pressing up on the actuator controller

**IMPORTANT**  
ENSURE ALL 4 EXTERNAL ROOF LATCHES ARE UNLATCHED BEFORE OPERATING THE ELECTRIC LIFT ROOF.

**STEP 5**

Unlatch and fold down the spare wheels.



## Initial Steps

**STEP 6**

Unlatch both jerry can holders and place them as shown.



**STEP 7**

Unlatch the rear door from outside and lift the door outwards.



**STEP 8**

Unlatch and unfold fully each side panel.



**STEP 9**

Unfold the rear floor and wall fit into place.



### IMPORTANT

Make sure to latch & lock the rear panel properly in both ends.



1

Start unwinding the awning as shown using winding stick located in the front tunnelboot.



2

Unwind the awning completely as shown.



3

Take out awning legs from both sides.



4

Adjust the awning height using thumb screw in the awning leg.

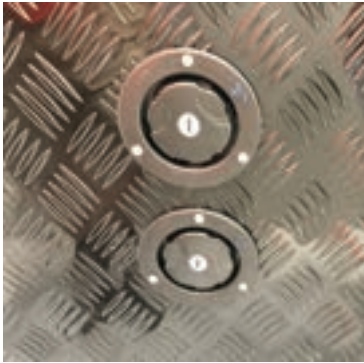


## IMPORTANT

Slideout hinge of the awning leg as shown in the second photo before put them down in the floor

## Water System Set up

The OPUS® is fitted with two freshwater tanks. Each tank has its own lockable fill point on the driver side of the van and is plumbed to a 12v switchable water pump located on the circuit board. The pump supplies water to the slide-out kitchen, internal sink and ensuite.



Hot water is provided via the hot water system on the driver side underneath the king bed.

The OPUS® is fitted with a grey water tank. All external kitchen, internal sink and the ensuite are directly connected to grey water tank. Grey water tank gauge is located in the main switch board. Drain for the grey water tank located in the driver side as shown below.

### IMPORTANT

Regularly check water seals in wet areas.



The OPUS® is fitted with a hot water service operated on gas or/and electricity. For faster heating up period the appliance can be simultaneously operated with gas and electrical power.

## IMPORTANT

Please refer to hot water system user manual for instructions

## Switching on gas operation

Open the Fogatti Hot Water Service and turn on using the white switch

Ensure a gas bottle is connected and the valve is open

Then ensure the camper is powered and turn on the water pump using the control panel



Finally power on the Fogatti controller by using the power button, you can then set your desired temperature by using the up and down arrows



## Electrical Operation (12V)

Use the Power on / off button to turn on the diesel heater.

The Power on / off switch also cycles between the three modes.

Warm Air Mode - The fan and heat will remain consistent depending on the level you've set: P1 being the lowest setting and P5 being the highest.

Air Conditioning Mode - This allows you to set a temperature between 10 Degrees and 35 Degrees.

Fan Mode - This function operates the fan only. This mode is great for use in hotter weather and keeps the air circulating with F1 being the lowest setting and F5 being the highest.



For detailed diesel heater troubleshooting please refer to our YouTube video using the QR code below





## Safe operating procedures for your gas system

**PLEASE refer to the information located on the rear of your OPUS® gas certificate.**

**STEP 1** The OPUS® is fitted with a mount for two 4.5kg gas bottles inside the front toolbox compartment. The bottle is to be connected to gas regulator and must be turned off when not in use

**STEP 2** To install a gas cylinder, ensure the gas cylinder is placed correctly with J-clamp, continue with attaching the gas hose to bottle ensuring that's been tightened so no leaks occur.



E.g. like getting a gas bottle and attaching it to your BBQ at home. First connect the gas hose onto the cylinder. It is advisable to keep an adjustable spanner with jaw opening up to 30mm for this use.

**STEP 3** Once kitchen has been pulled out full you can fit the gas bayonet hose to the outlet. This is a simple push and twist to install.

**STEP 4** The gas tap/valve on the top of the gas bottle can now be opened.

**STEP 5** Turn on the yellow gas tap (situated underneath the rear of the OPUS behind each of the gas outlets unit) by turning 90°.

**STEP 6** Lift up lid of the gas hob, turn on one of the burners (push in, hold the knob down until flame is lit and stays on. Keep pressing the button until the gas has had time to fill up the system and the burner will ignite.

**STEP 7** Ensure that the gas bottle valve is closed prior to packing up the OPUS® for transit or storage. The OPUS® has two gas outlet bayonet fittings. At each point there is an on/off valve located right behind the gas outlet. Each valve must be turned off when not in use.

The outlet on the driver's side is a gas BBQ (not supplied) while the outlet on the passenger side is to supply the 4 burner cook top in the slide-out kitchen. This hose is fitted to the cook top and is located under the sink. Both points should have the protective plugs inserted when not in use.

When the gas is not in use the shut off valve and gas bottle should be in the off/closed position. Gas fumes inside a caravan could result in unconsciousness, brain damage or even death. Follow safe operating procedures with gas at all times:

- Ensure good ventilation throughout, at ALL times
- Do not use any other gas systems than those provided with the OPUS®
- Always turn off the shut off valve IMMEDIATELY after use.

## 240V - Safe operating procedures

### IMPORTANT

Take extra care when using the sockets, do not cause a hazard.

The OPUS® comes fitted with a 240-volt power system.

The main circuit breaker and RCD is in the main switch board.



In the bedroom area there is another 240V outlet.



The main 15Amp power input is found on the driver's side of the OPUS®. There are 4x internal and 1x External 240V power points. Under the bed storage area there are 3 240V power points one for battery charger, one for the heater and one spare.



The external power point is located on the passenger side of the OPUS® behind the kitchen.



## 12 Volt - Safe operating procedures

The OPUS® has many 12V outlets - they are a combination of standard 12V sockets, mini 12V sockets, USB sockets and switches.

You will find their location as follows:

- In the front toolbox / fridge compartment there is a standard 12V fridge socket.
- In the same area there is a small switch and LED work light.



- Both sides of the upper tunnel boot storage area there is a LED work light with a small switch.
- Inside the OPUS® there are two 12V mini sockets next to TV point. These are for the 12V LED light kit (optional extra).

- Next to the picnic table there is a twin 12V USB socket.



- Externally at the rear passage side next to the kitchen slide-out there are two additional 12V mini sockets and a standard 12V socket.



- The two mini sockets are designed to operate the 12V LED light on the kitchen and a small annexe light.
- Next to the main door you will find four switches for LED floor lights and annexe lights around the caravan.

- The main switch board is located near the door. On the panel you will find the main 12V switch. There are separate switches for the:

- Lights
- Fridge
- 12V sockets
- Media
- Water Pump



- The Renegy One Core screen will display your state of charge, with real time Amp draw, it also calculates how many hours remaining on the batteries.
- The Renegy One Core screen also displays your water tank levels in the top right of the home screen
- All switches have their own resettable fuse next to each of the switches. In the battery compartment the large resettable fuse is wired to the 50amp Anderson plug fitted at the drawbar.
- The internal 12V sockets and external 12V socket, fridge and lighting will operate on 12V power from the leisure battery; heavy usage and power hungry appliances will deplete the battery's charge.
- It is recommended to have the mains 240V connected to a suitable supply if available, even if appliances are run on 12V only.
- The trailer lights and electric brakes are wired to a standard 7 pin trailer plug. The OPUS® is fitted with electric brakes.
- Ensure your Renegy Charger / Inverter is turned off when the camper is not in use to avoid battery drain.

## IMPORTANT

Your towing vehicle will need an in-car electric brake controller installed.

The battery charger is fully automatic and will recharge the lithium battery if the OPUS® is connected to an 240V electric power supply via the 15amp power inlet.

While in transit if the tow vehicle has the Anderson Plug connected this will also be topping up the batteries via DC-DC charger.

Regular battery maintenance checks (charge once a month) will prolong the life of your battery.

Refer to battery charge instruction manual for further details.

## TIP:

Monitor your batteries closely! Charge or discharge the battery to approximately 50% of capacity before storage. Charge the battery to approximately 50% of capacity at least once every six months.

## IMPORTANT THE OPUS® CAMPER MUST NOT BE STORED WET/DAMP

### STORAGE

- It is strongly advised that you purchase a storage cover for your OPUS® if it is to be stored in an uncovered location. The storage cover is advised for an extended period of storage to keep your caravan in pristine condition.
- Clean off dirt and grime on the unit from travelling/terrain to keep your caravan in good condition and maximise its longevity.
- Regular battery maintenance checks (charge once a month) will prolong the life of your battery.
- Ensure the water tanks are emptied after use and contain no liquids when being stored.

### Return to the Road

- Ensure that your caravan and accessories are fit for the road and you adhere to all local laws.
- Check the wheels and tyres and ensure they are in good condition with the wheel nuts correctly torqued (125NM).
- Check the tyre pressure before driving (45PSI when cold).
- Check that DO35 coupling (receiving hitch) is tight.
- Check the lights and fittings and ensure they are functioning correctly.
- The chassis/running gear and the gas installation of your OPUS® caravan should be checked on an annual basis by a qualified service centre.

### External care for your OPUS®

- Inspect the outside panels of your caravan including the roof (bed lids) for any damage or cracks.
- Inspect the sealant around the panels to verify that there is adequate bonding around the body panels and exterior features. This is especially important after an impact/accident to the caravan to ensure the integrity of the body's resistance to water ingress.
- Keep the body and the roof of the caravan clean, it is best to clean any mud and dirt off the caravan immediately or after every journey to maintain its clean finish.
- Prolonged exposure to UV, mud, dirt, and salt may deteriorate the finish of the caravan.
- The body of the caravan can be washed with soap and water using a soft sponge. Rinse the caravan thoroughly after washing.
- A damp cloth may be preferred especially for small spots and dirt. Specialist products such as Care-avan Waterless Wash & Shine may be used where/when adequate water is not readily available. Read and follow the instructions carefully and it is advisable to try any product to be used on the caravan on a small inconspicuous spot to ensure/verify it is suitable before full use.
- Any form of damage or scratch to the paint work or finish of the caravan on the body may be repaired or cleaned by using a suitable 'touch up' stick/paint. Contact your dealer or OPUS® caravan directly for further information.

1 JBL Speaker



2 Fire extinguisher



3 TV



4 12V CIG & USB sockets



5 Ensuite



## 6 Toilet



Please refer to toilet user manual for instructions

## 7 Batteries & charger



Please refer to battery & battery charger user manuals for instructions

## 8 Jockey wheel



## 8 Hot water service



Please refer to hot water system user manual for instructions



## Driver side storage



## Passenger side Fridge slide storage



## INTRODUCTION

The following information relates to warranties offered by OPUS. Please read all the information carefully, and should you have any questions relating to any aspect of this section, please contact OPUS. By purchasing an item from OPUS, you hereby agree to all terms and conditions of warranty as set out herein.

**OPUS will always deal with warranty claims reasonably and in good faith. We offer a 12 month warranty on all fittings and fixtures, plus the following specific warranties:**

- 5 Year Suspension Warranty
- 3 Year Canvas & Tent Warranty
- 5 Year Structural Warranty



**OPUS warranties apply for the use of your OPUS on any road or track that is trafficable to normal four-wheel-drive vehicles.**

## VALIDITY OF CLAIMS

- Warranties are valid to the original purchaser of the item in question and apply from the original date of purchase.
- Warranties apply to items sold as "new" and do not extend to items sold via auction, or deemed to be "factory seconds", "ex-demonstration" or "damaged" unless specifically stated otherwise by OPUS® in writing. (See details later in this document.)
- Warranties are not transferable. Also, if the original purchaser sells an item to a third party, the original purchaser cannot make any claims on behalf of the new owner.
- Warranties do not apply to products used in hire schemes or as rentals.
- OPUS® does not cover damage due to unauthorised modifications, misuse, abuse, incorrect assembly, improper and irregular maintenance, or accident or collision.
- Any work performed under an authorised warranty claim approved by OPUS® must be performed by OPUS®, or an authorised representative of OPUS®, and only with the express written permission of OPUS®.
- Affiliates, representatives, associates, agents, suppliers, resellers or similar of OPUS® shall have no authority to authorise or deny warranty claims on behalf of OPUS®.
- OPUS® shall not be liable (in part or whole) for any warranties, either express or implied, made by agents or resellers on behalf of OPUS® without the knowledge or express written permission of OPUS®. Such unauthorised claims shall be the responsibility of the agent or reseller only.

Our goods come with guarantees that cannot be excluded under the Australian Consumer Law. You are entitled to a replacement or refund for a major failure and for compensation for any other reasonably foreseeable loss or damage. You are also entitled to have the goods repaired or replaced if the goods fail to be of acceptable quality and the failure does not amount to a major failure.

**OPUS® Caravans are designed for use on any road or track that is trafficable to normal four-wheel-drive vehicles.**

**OPUS® Caravans can be exposed to water crossings where the water is below body floor level, but never where the water is at, or above, body floor level.**

## **THE FOLLOWING ITEMS ARE NOT COVERED UNDER THE OPUS® WARRANTY:**

- Impact or stone damage to body, chassis or running gear.
- Soiling of fabrics and internal fitments from dust and other airborne substances.
- Water damage due to water crossings.
- Movement or damage caused by dislodgment of appliances and fittings resulting from hard impact or heavy landings or severely rutted roads or tracks.
- General damage arising from misuse.
- Rust
- Wheels and Tyres
- Paint
- Faults to canvas when stored wet.
- Mould
- General consumables such as bearings, light fittings, batteries etc.
- Wear and tear when the trailer is used for permanent living purposes.

OPUS® includes equipment and fittings, such as accessory brand cookers or pumps, which are separately warranted by their manufacturer and not covered by the OPUS® Warranty. If necessary, OPUS® will help an owner make a warranty claim to these manufacturers.

In addition to the express OPUS® warranty, the consumer may also be covered by other rights and remedies of the Australian Consumer Law in relation to the goods and or services to which this warranty relates.

## **FACTORY SECONDS, EX-DEMONSTRATION AND DAMAGED GOODS**

From time to time, OPUS® may offer for sale items deemed to be “factory seconds”, “ex-demonstration”, or “damaged”. Any such items are sold on an “as is” basis.

There are no warranties, refunds, credits, exchanges or similar associated with such items. In the sale of such items, OPUS® will attempt to provide all relevant information regarding the item, including faults, defects, or similar, however, there may be instances where minor defects or imperfections have been overlooked. This is purely unintentional and in no way alters the nature of the sale.

Due to the nature of such items, being “ex-demonstration”, “factory seconds” or “damaged”, it is reasonable to expect that some imperfections or flaws may exist even where it is not initially apparent. By purchasing such an item, you agree to this statement and accept that there are no warranties implied or expressed.

## LOGGING A CLAIM

All warranty claims should be lodged by contacting your dealer directly.

## CONTACT

If you have any further questions relating to warranties, or are unsure about any aspect of this section, please visit [www.opuscamper.com.au/warranty](http://www.opuscamper.com.au/warranty) or contact OPUS.

Phone: (03) 9588 2959

Email: [enquiries@opuscamper.com.au](mailto:enquiries@opuscamper.com.au)

**Head to [www.opuscamper.com.au/warranty](http://www.opuscamper.com.au/warranty) for more information**

SERVICE INTERVAL	1000 KM / 3 MONTHS	10000 KM / 1 YEAR	20000 KM / 2 YEARS	30000 KM / 3 YEARS	40000 KM / 4 YEARS	50000 KM / 5 YEARS
Check coupling moves freely and is lubricated						
Torque coupling bolts						
Check safety chain and drawbar for rust						
Check jockey wheel rotates, lifts and spins freely						
Test handbrake						
Check tyre wear and age (replace if over 6 years old)						
Check tyre alignment (2-3mm toe in, 0-0.5° camber)						
Check tyre inflation pressure						
Check bearings for play and wear. Repack bearings with grease						
Grease suspension swing-arms						
Check suspension straps						
Torque suspension bolts						
Check and adjust brakes						
Torque wheel nuts						

S  
T  
A  
M  
P  
  
H  
E  
R  
E

LOCATION	BOLT SIZE	BOLT GRADE	TORQUE
Coupling	12 mm	8.8	80 Nm
Hand Brake	12 mm	8.8	80 Nm
Jockey Wheel	12 mm	8.8	80 Nm
Stone Shield	10 mm	8.8	22 Nm
Tool Box	10 mm	8.8	22 Nm
Drop-down Legs	10 mm	8.8	22 Nm
Suspension pivot	14 mm	10.9	180 Nm
Bump stops	8 mm	8.8	22 Nm
Suspension limit straps	12 mm	8.8	55 Nm
Shockers	14 mm	10.9	150 Nm
Rear bar mounts	14 mm	8.8	105 Nm
Rear bar pinch bolts	8 mm	8.8	22 Nm
Wheel nuts			125 Nm

---

---

---

---

---

---

---

---

---

---

---

---

---

---

---

---

---

---

---

---

---

---

---





CONTENTS

# ◀ OPUS®

SHARE YOUR FEEDBACK



**PURPLE LINE PTY LTD  
13 INDIAN DRIVE  
KEYSBOROUGH  
VIC 3172  
AUSTRALIA**

**WEB: [WWW.PURPLELINE.COM.AU](http://WWW.PURPLELINE.COM.AU)  
TEL: 03 9588 2959  
EMAIL: [ENQUIRIES@PURPLELINE.COM.AU](mailto:ENQUIRIES@PURPLELINE.COM.AU)**

FIND US ON FACEBOOK INSTAGRAM & YOUTUBE

