

# OPUS®

## Off-Grid Shower Tent - Care & Instructions -



## **WELCOME!**

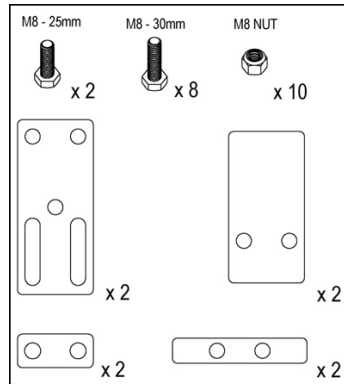
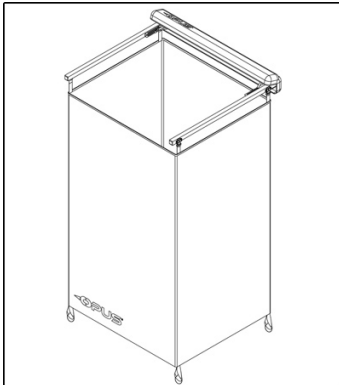
Congratulations on the purchase of your OPUS Off-Grid Shower Tent. This handy tent makes off-grid showering easier and to assist in your first use, please see the following details.

## **MOUNTING / INSTALLING**

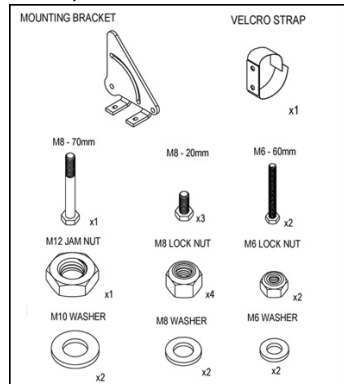
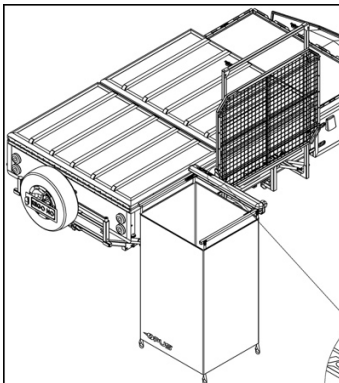
The OPUS Off-Grid Shower Tent is supplied with multiple mounting options, two that are suited for OPUS cargo racks and one for conventional roof bars on most cars. New designs or models of roof bars may require additional hardware for the correct fitment. See the manufacturer of your vehicle's roof bars or consult a qualified roof rack fitter for assistance.

Depending on your mounting choice, use one of the following:

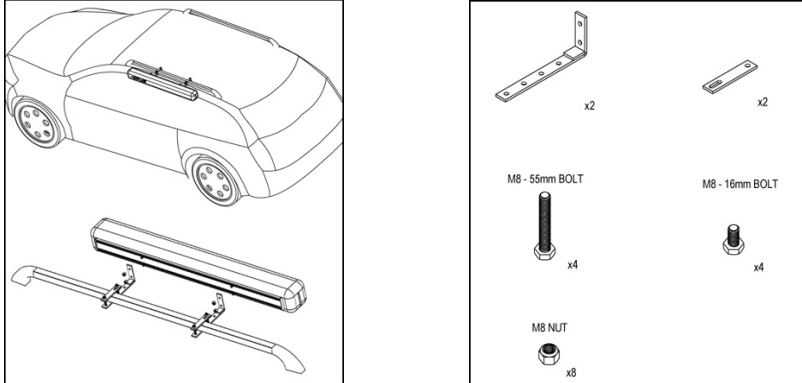
### OPUS Cargo Rack (Flat mount to rack)



### OPUS Cargo Rack (Right-angle pivot mount)



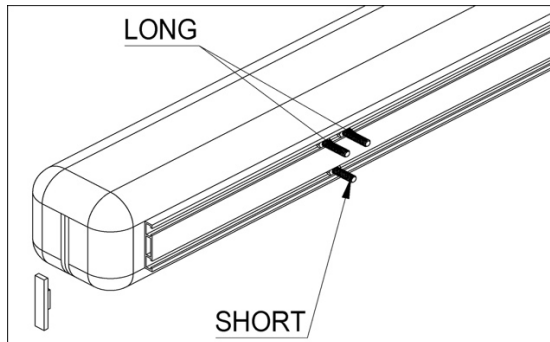
## Automotive Racks (Roof bars or otherwise)



**NOTE:** Purple Line recommends consulting a qualified fitter to install the Off-Grid Shower Tent to avoid any potential damage to the product or the vehicle.

### **MOUNTING TO CARGO RACK - FLAT MOUNT**

To flat mount your Off-Grid Shower Tent to the OPUS cargo rack, use the supplied materials to assemble the brackets - either directly on to the shower tent, or assemble the brackets and then attach them to the shower tent's backing as shown in the diagrams below.



To start, remove end cap from the back of the shower tent so that you can slot in 2x long bolts & 1x short bolts for each bracket. Then, following the diagrams supplied below, assemble the brackets as shown.

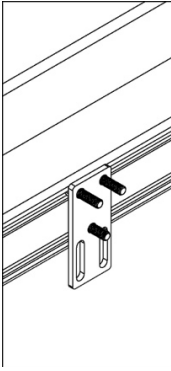


Fig 1.

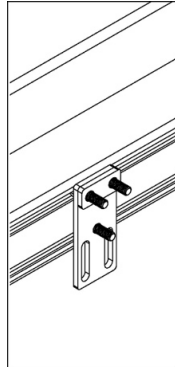


Fig 2.

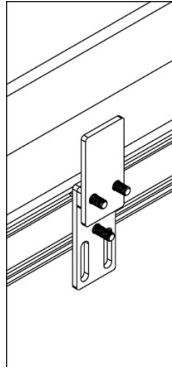


Fig 3.

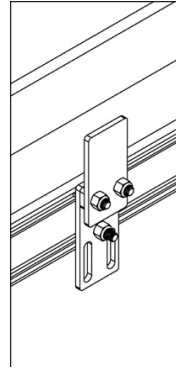


Fig 4.

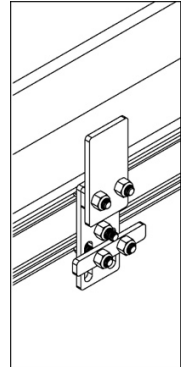
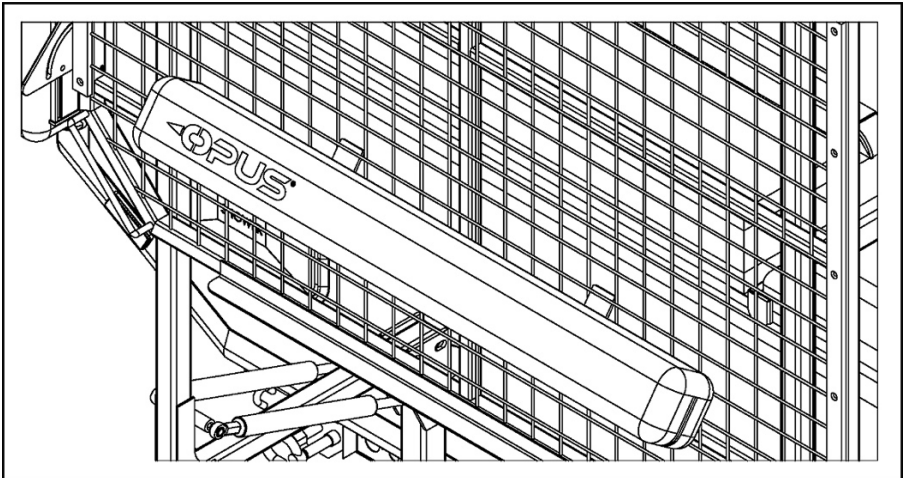


Fig 5.

Once the brackets have been assembled, locate your shower tent on the OPUS cargo rack closest to the OPUS shower. It's best to do this when the rack is in its resting position – 90°s vertical from its travel position.

**Note:** The image in Fig 5 shows the required bracket to secure the shower tent to the OPUS cargo rack for transporting. This needs to be attached *after* the rest of the shower tent has been situated in its chosen location and must remain tight for any travel circumstance.



## **MOUNTING TO CARGO RACK – RIGHT ANGLE / PIVOT MOUNT**

To mount your Off-Grid Shower Tent to the OPUS travel rack so that it can swing down at a right angle from the OPUS cargo rack, you will first need to have a drill and 7mm drill bit ready.

To start, situate the shower tent mounting bracket approximately 350mm from the cargo rack's driver-side edge on the side of the rack closest to the spare. Using the bracket as your jig, drill 3 holes – the first hole centred on the cargo rack edge, the other two using the legs.

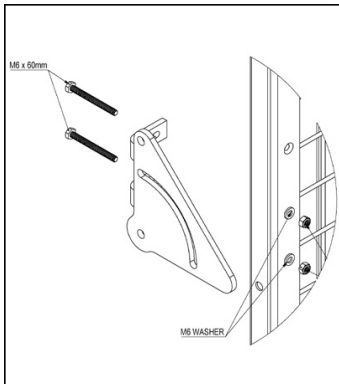


Fig 6.

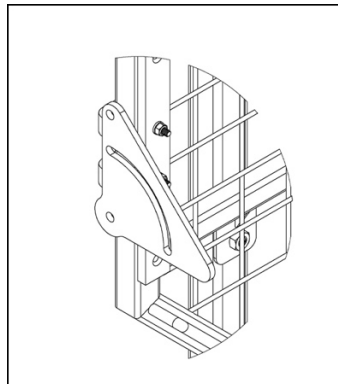


Fig 7.

Once you've drilled the first hole, fix the bracket to the rack using the 70mm bolt assembly and tighten temporarily. Next, rotate the mounting bracket until the bottom legs hook underneath the cargo rack's exterior frame. Using the hole locations provided by the legs, drill 2 holes. You can now remove the 70mm bolt. (Fig 6)

Next, assemble the bracket to the back of the OPUS shower tent. Using the centre channel, slide a 20mm bolt head into the channel followed by a 60mm bolt in the same channel (Fig 6). Now place the bracket over the bolts, with the longer bolt going thru the hole that you used as the drill guide. Finger-tighten nuts to each bolt.

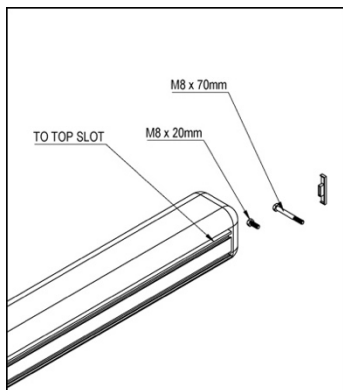


Fig 8.

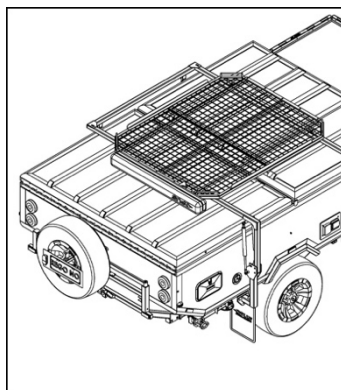


Fig 9.

With the bracket attached to the shower tent and the cargo rack vertical, ensure the tent is oriented the correct way with the tent zipper facing down (it will face up when the cargo rack is in its travel position – Fig 9).

Now insert the 2x bolts thru the legs and carefully tighten to the rack. Using care, now adjust the travel and tension with the nuts and bolts to suit. Once this is done, you can add the Velcro strap to the back of the shower tent for securing the tent when not in use (or travelling).

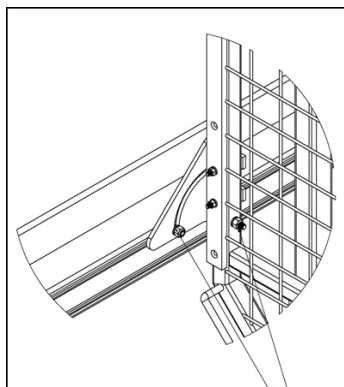


Fig 10.

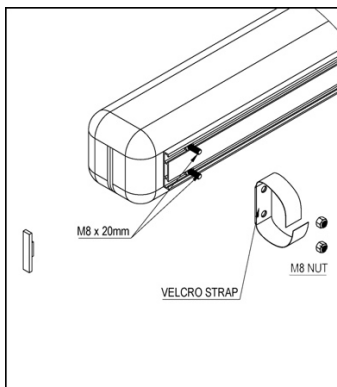


Fig 11.

**SETTING-UP** (shown in the 'flat mount' position)

1. Unzip the OPUS Off-Grid Shower Tent's transit cover and fold the cover over.

2. Release the 2 retainer straps and unroll the tent (Fig 12).
3. Release the 2 inner retainer straps to release the arms. Swing the top arm outwards, followed by the bottom arm to their fully extended position. You will hear a click as the arms lock into place (Fig 13).
4. Adjust the nylon straps along each arm to allow the 4 sides of the shower tent to connect with the ground.
5. Using tent pegs (not included), stake-out the 4 sides of the shower to the ground.



## **PACKING DOWN**

1. Assuring the OPUS Off-Grid Shower Tent is as dry as possible, remove all tent pegs.
2. Press the hinge release lever on LOWER tent arm and fold inward (figure 14)
3. Press the hinge release lever on UPPER tent arm and fold inward
4. Secure the arms with the arm retainer straps.
5. Rolling from the bottom, tightly roll-up the shower tent so that it easily fits inside the transit cover (figure 15).
6. Secure with the tent retainer straps and zip close the transit bag.



## **CARE & SAFETY**

### **CLEANING**

- Clean with lukewarm water and soft brush or sponge. Do not use hard soaps and or chemical detergents.
- Do not use or expose to petrol chemicals.
- Allow to fully dry before storing.

### **STORAGE**

Conditions may require you store your OPUS Off-Grid Shower Tent wet. It is vital that at the earliest opportunity the Shower Tent is unpacked and allowed to fully dry before repacking. This will help eliminate potential mould or the breakdown of the fabric structure due to unnecessary wear.

### **!!! CAUTION !!!**

While the OPUS Off-Grid Shower Tent is designed for use off the beaten track, prolonged driving on unsealed roads may loosen parts of the off-road shower tent requiring tightening and adjusting from time to time. Purple Line accepts no responsibility for use in such conditions we're maintenance is not considered by the user.

### **WARRANTY**

The OPUS Off-Grid Shower Tent is covered by a 2-year warranty.

To register your warranty please visit:

[purpleline.com.au/product-registration-form/](http://purpleline.com.au/product-registration-form/)

### **EXCLUSIONS**

The above warranty is limited to manufacturing and material defects. Not included are damage caused by misuse or abuse, wear and tear, condensation, extreme weather, accidents, incorrect set up, damage caused by mould, insects, animals or children. This also excludes broken poles and damage caused by a jammed, snagged zipper or excessive force applied to zipper causing failure.

### **CONSUMER RIGHTS**

Purple Line goods come with guarantees that cannot be excluded under Australian law. You are entitled to a replacement or refund for a major failure and for compensation for any other reasonably foreseeable loss or damage. You are also entitled to have goods repaired or replaced if the goods fail to be of acceptable quality and failure does not amount to a major failure.



## **MAKING A CLAIM**

To make a claim in relation to the above manufacturer warranty, please ensure that you have retained your proof of purchase then email us at [customerservice@purpleline.com.au](mailto:customerservice@purpleline.com.au) stating the nature of your claim and we will be in touch with you as quickly as possible.

Each product that is subject to warranty may need to be sent to:  
Purple Line Pty Ltd; 13 Indian Road; Keysborough, VIC 3172

All freight costs associated with the return of products for warranty assessment is payable by the consumer.